

Industries we serve

Automotive

Naval

Aeronautics

Airports

Defence

Wind

Nuclear

Food & agriculture

Pharmaceutical

Our trusted clients

- ACA, ADP, AFPI, AIR FRANCE, AIRBUS GROUP, ARCELOR MITTAL, BEAUFOR IPSEN, BP FRANCE, CTI,
 DASSAULT, DÜRR CLEANING, EDF, FLOWSERVE CORPORATION, HÄAGEN-DAZS, HEINEKEN, KUKA,
 NORDEX, NTN CORPORATION, PSA, RENAULT NISSAN, SAFRAN, SERAC GROUP, STÄUBLI,
 STX EUROPE, THALES, TOTAL, TOYOTA, UNILEVER, VEOLIA, VINCI

Sites in France

International support

ÎLE-DE-FRANCE REGION

8, Rue des Acacias
 77230 Villeneuve-sous-Dammartin
 Tél. : +33 (0)1 60 21 23 80

NORTH-EAST REGION

Rue Jules Gosselet
 ZI Douai Dorigines
 59500 Douai
 Tél. : +33 (0)3 27 08 71 71

CENTRE-WEST REGION

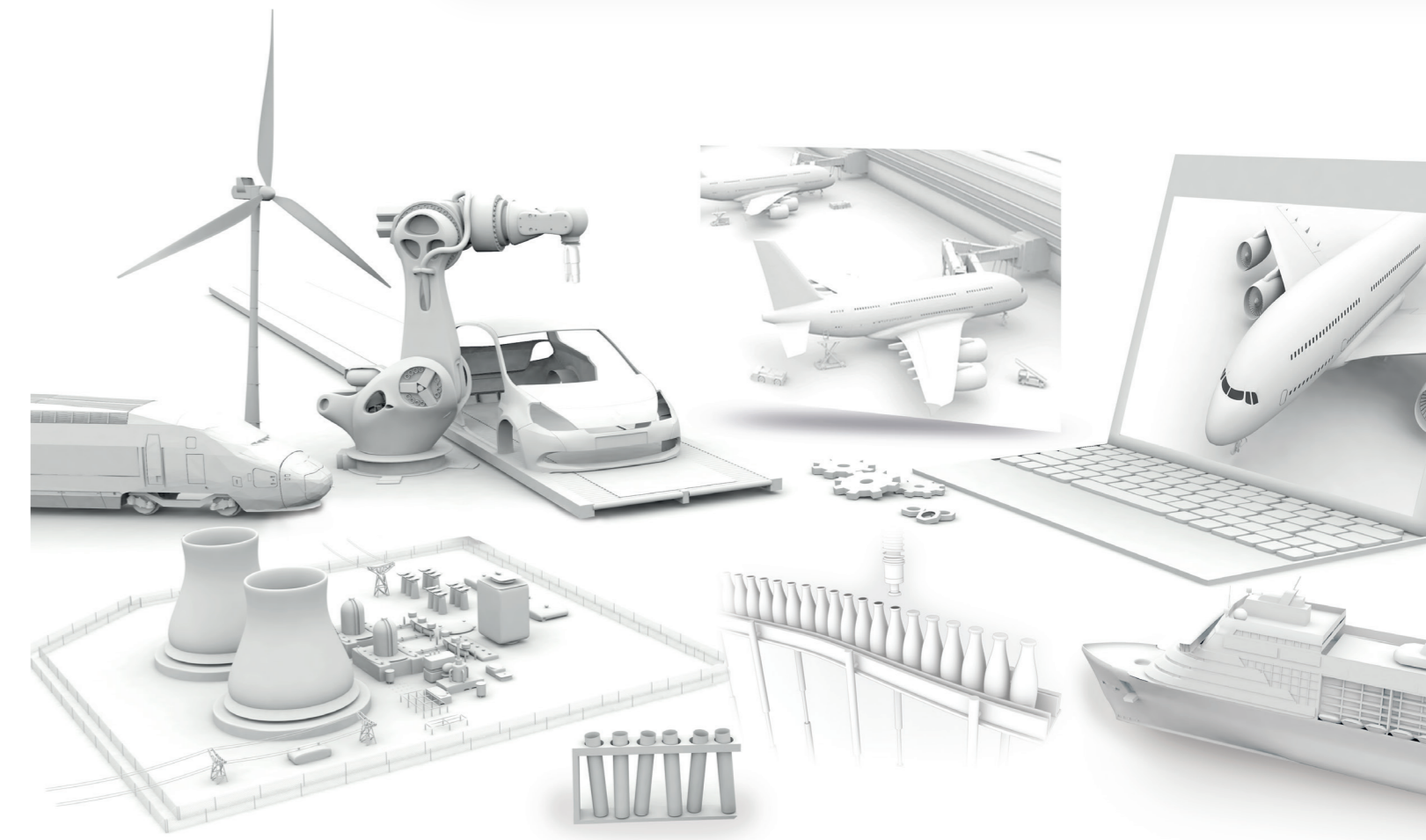
Rue Isaac Newton
 ZAC du Vivier 2
 72700 Allonnes
 Tél. : +33 (0)2 43 88 39 50

SOUTH-WEST REGION

3, Allée Aristide Maillol
 ZAC des Ramassiers
 31770 Colomiers
 Tél. : +33 (0)5 34 36 19 36

RHÔNE-ALPES REGION

Route de Valparc, 339 H
 74330 Poisy
 Tél. : +33 (0)4 50 22 89 10



THE CULTURE OF **INNOVATION**
 AT THE VERY HEART
 OF **INDUSTRIAL DEVELOPMENT**



Maser Engineering (head office)
 6, rue Toulouse Lautrec
 75017 Paris - France
 contact@maserengineering.com / +33 (0)1 49 18 55 55





Maser Engineering, 45 years of expertise

As partners of the largest groups in all sectors of industry for the past 45 years, **Maser Engineering** has become a leading reference in the fields of **engineering, new projects, industrial maintenance** and **training for industry**.

Traditionally operating in the automotive and aeronautics industries, **Maser Engineering** has extended its offer over the past few years to the energy and environmental sectors, the services sector and the transport and defence.



Maser Engineering is a subsidiary of the **CRIT Group**, a major player in Human Resources, Airport Assistance, Engineering and Industrial Maintenance. **CRIT Group** shares are traded on Euronext Paris.

A dynamic QSE policy

Maser Engineering's ambitious **QSE policy** helps to improve performance, optimize costs and sustain the activities of its customers in compliance with legislation, health and safety at work, the environment and diversity.

Certifications



Authorizations

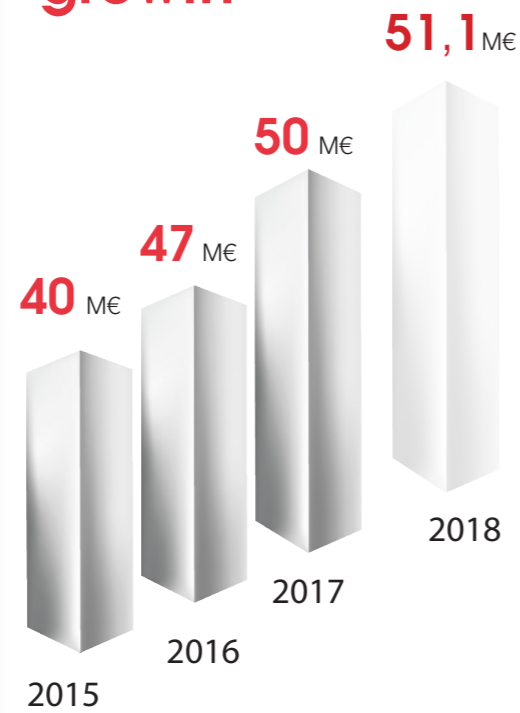
Training body
(declared as n°11930564693)



MINISTÈRE DE
L'ENSEIGNEMENT
SUPÉRIEUR ET DE
LA RECHERCHE

1973 year of creation	300 active clients
600 employees	11 national branch

Steady growth



Our areas of expertise

Engineering

Maser Engineering works in all phases of the engineering process, and especially in manufacturing and production.

First, by providing technical assistance and project management in the major areas of innovation and R&D, project management and performance enhancement;
Second, **Maser Engineering** offers a global offer that combines concepts from Lean Manufacturing and the benchmarks of Industrial Ergonomics to meet the challenges of the industry of the future.
Maser Engineering also participates in technology transfer, in defining and controlling the quality processes and in supervising the implementation of engineering activities and offshore production.



New Projects

Maser Engineering's in-depth knowledge of technologies and the expertise of our engineers and technicians enable the company to assist industry with setting up, transferring, tuning, modernizing and optimizing their automatic production and operating units.

Industrial Maintenance

The maintenance of the means of production, exploitation and their peripherals is one of the key and historical expertise of **Maser Engineering**.

A multisectoral and multitechnical approach, a solid experience feedback in the engineering professions, maintenance engineering and operational maintenance, associated with the services of Total Fluid Management, enables **Maser Engineering**, to play a full role in improving the management and performance of industrial equipment and boosting productivity.

Industrial Training

With its team of experts from a range of industrial sectors, **Maser Engineering's** training department helps companies to enhance their internal resources, and particularly to face the challenges of Industry 4.0.

An engineering unit and educational innovations, oriented towards «Digital Training», ensures a perfect match between the needs of the client, the training courses on offer and the resources deployed.